

Redwood Engineering Ltd
 Ph: (09) 625 8832
 Fax: (09) 625 4537
 67 Carr Rd
 PO Box 27-126
 Mt Roskill
 Auckland

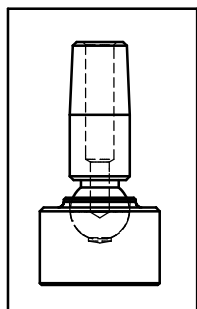
RANGE OF STANDARD ϕ 5/8 SPOT WELDING TIPS AND ACCESSORIES

ϕ 5/8 TAPERED SHANK SPOT WELDING TIPS

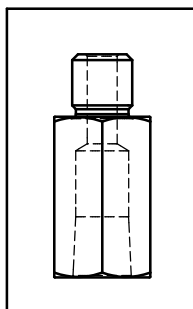
CENTERED TIP PT1 SERIES	DOMED TIP PT2 SERIES	POINTED TIP PT3 SERIES	FLAT TIP PT4 SERIES	OFFSET TIP PT5 SERIES
DIMENSION A	DIMENSION A	DIMENSION A	DIMENSION A	DIMENSION A
PT1/15 60.0mm	PT2/15 60.0mm	PT3/15 60.0mm	PT4/15 60.0mm	PT5/15 60.0mm
PT1/2 73.0mm	PT2/2 73.0mm	PT3/2 73.0mm	PT4/2 73.0mm	PT5/2 73.0mm

ELECTRODE STEMS

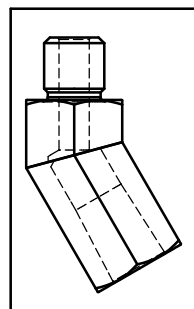
	<table border="1"> <thead> <tr> <th>PART</th> <th>A</th> </tr> </thead> <tbody> <tr> <td>ES8/65</td> <td>165.0mm</td> </tr> <tr> <td>ES8/9</td> <td>228.0mm</td> </tr> <tr> <td>ES8/12</td> <td>305.0mm</td> </tr> </tbody> </table>	PART	A	ES8/65	165.0mm	ES8/9	228.0mm	ES8/12	305.0mm	
PART	A									
ES8/65	165.0mm									
ES8/9	228.0mm									
ES8/12	305.0mm									
		JF40 CLAMPING BOLT								



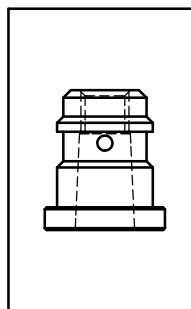
PT61 Swivel Tip
 ϕ 5/8 OR
 ϕ 1/2 TAPER



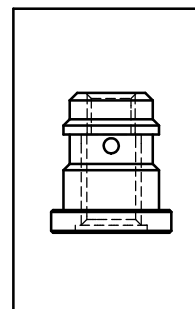
AT1 TAPERED ADAPTOR



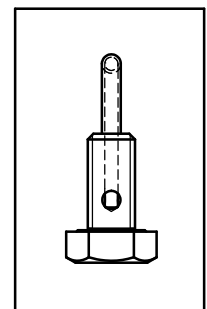
AT2 TAPERED ADAPTOR



ST1 TAPERED SOCKET



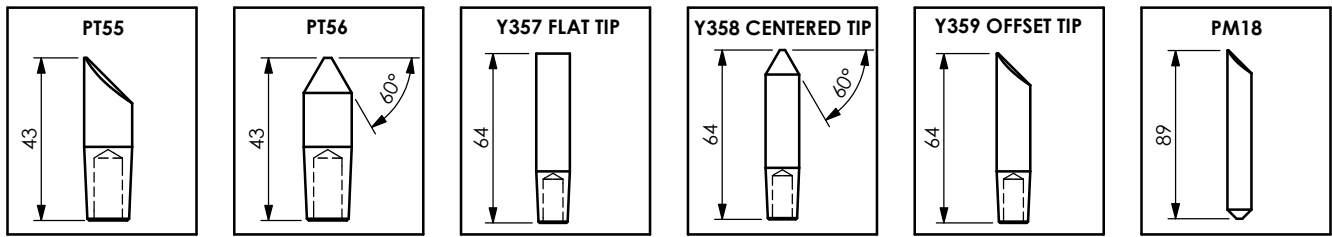
SS1 SCREWED SOCKET



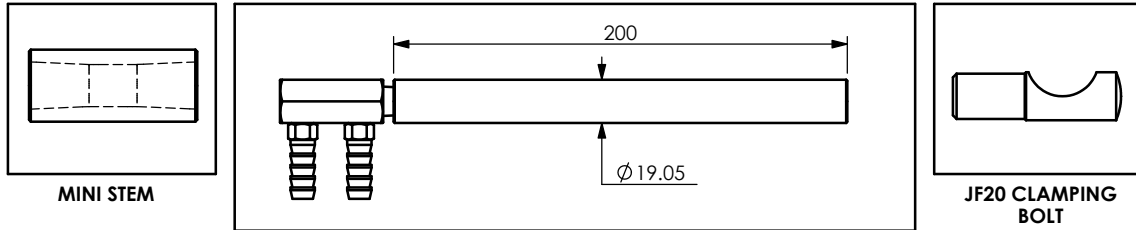
SB1 SOCKET BOLT

RANGE OF STANDARD ϕ 1/2 SPOT WELDING TIPS AND ACCESSORIES

ϕ 1/2 TAPERED SHANK SPOT WELDING TIPS

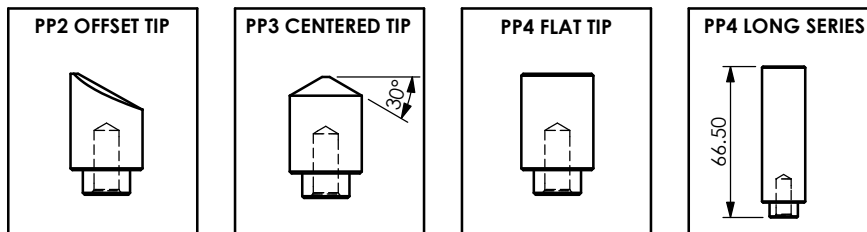


ELECTRODE STEMS Y200

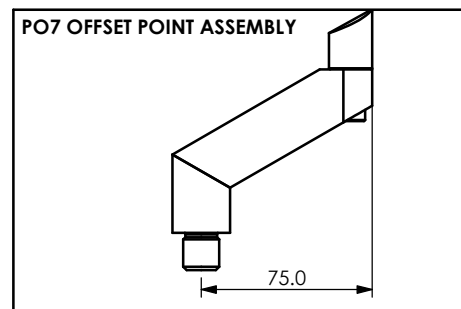
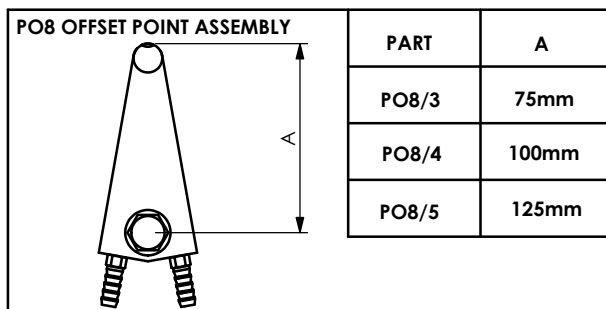


RANGE OF STANDARD OFFSET POINT TIPS AND ACCESSORIES

OFFSET POINT TIPS



OFFSET POINT ASSEMBLYS



MISCELLANEOUS

COPPER COMPRESSIBLE WASHERS	
JF147	ϕ 1/2" ID
JF130	ϕ 5/8" ID
JF146	ϕ 1" ID